

PARTNER IN STAINLESS STEEL

KHTEC®



hygienic | innovative | space-saving

# Hygienic Loading and Unloading Station

For liquid applications



PHARMA



CHEMISTRY



COSMETICS



FOOD



BEVERAGE



WINE

## SYSTEM DESCRIPTION

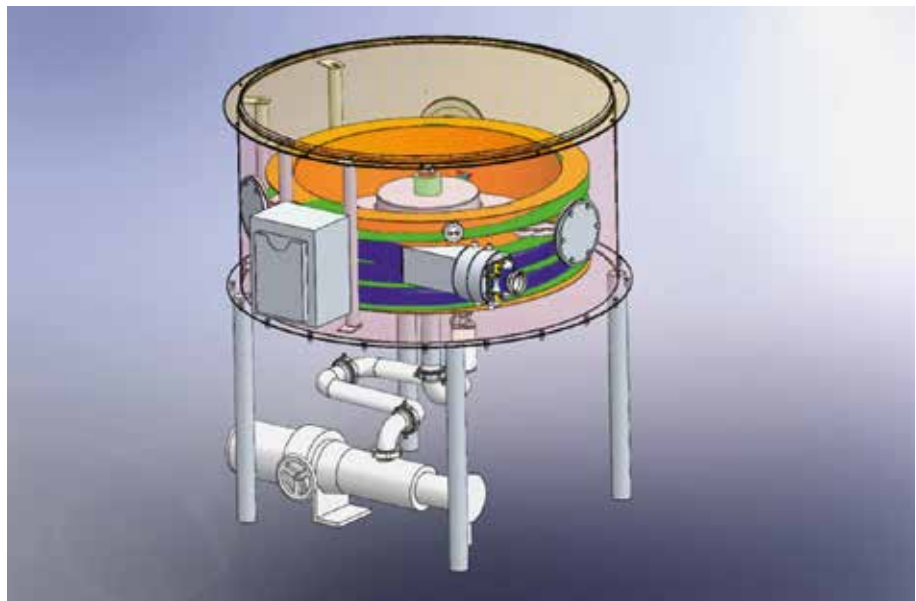


Cleaning unit

- Horizontally mounted stainless steel hose reel with spiral storage on guide rollers, designed to house beverage hoses in layers; permanent decline towards pump station
- Hose return via spring balancer and own weight
- Hose reel connected to pumpstation via double hinged pipe bends
- Hose lengths between 6m and 18m
- Hose internal diameter DN 50 or DN 65

### Optional

- Cleaning unit with injection nozzles to clean hose and reel from the outside
- Air supply enables hose drying
- Model with related pump station



### Hygienic dereeler together with

- Pump
- Controller
- Inner and outer hose cleaning

## **ADVANTAGES**

- For all loading and unloading procedures of tank lorries and tanktainers in the entire beverage and food industry
- Outside hose hygiene ensured, as hose and reel are cleaned by means of variably arranged nozzles
- Inner hygiene of hoses optional, by Molch- or CIP-system cleaning
- Complete draining (product liquid and rinsing water) according to hygiene requirements IFS
- Hose lengths can individually be adapted to fit vehicle that is to be loaded or unloaded
- No hoses lying on the ground, increased accident prevention
- Unloading hose securely stored in idle state, hoses are prevented from being overrun, no outdoor storage
- Unloading hose return via spring force
- Customized hose sizes and reel sizes, larger reels can also be obtained with motor drive

**KH**TEC®

KH TEC GmbH	KH vessel TEC GmbH	KH process TEC GmbH
-------------	--------------------	---------------------

An der Hessel 5 | D-75038 Oberderdingen | Germany  
Phone +49 (0) 7045/980-0 | Fax +49 (0) 7045/980-27 | [info@kh-tec.de](mailto:info@kh-tec.de)

[KH-TEC.com](http://KH-TEC.com)